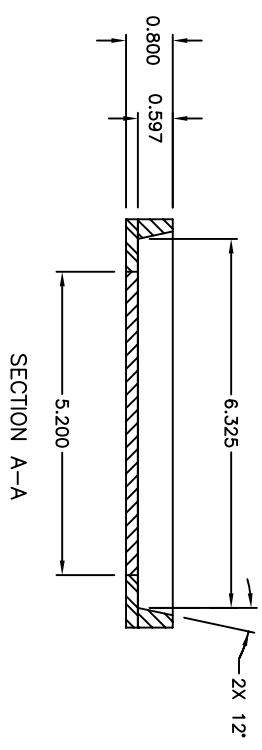
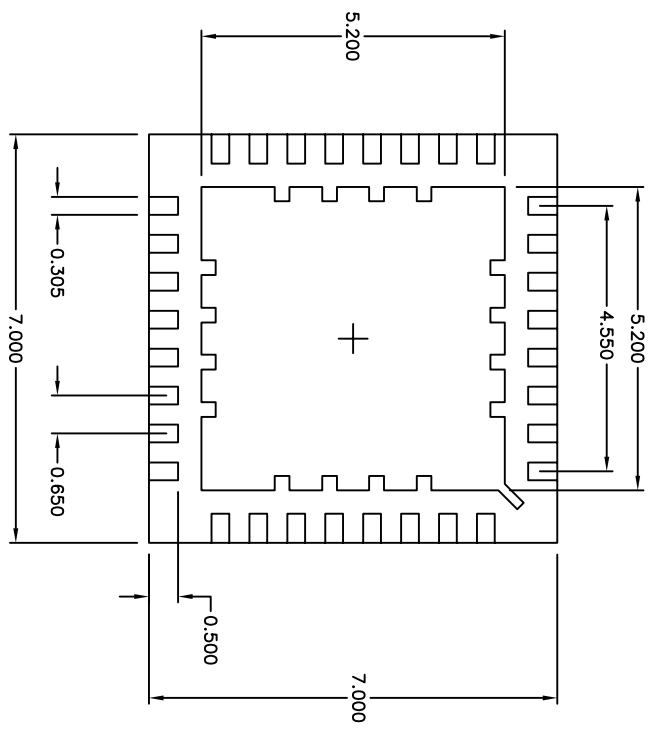
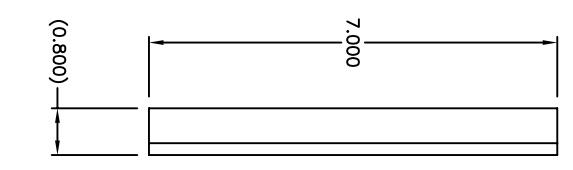
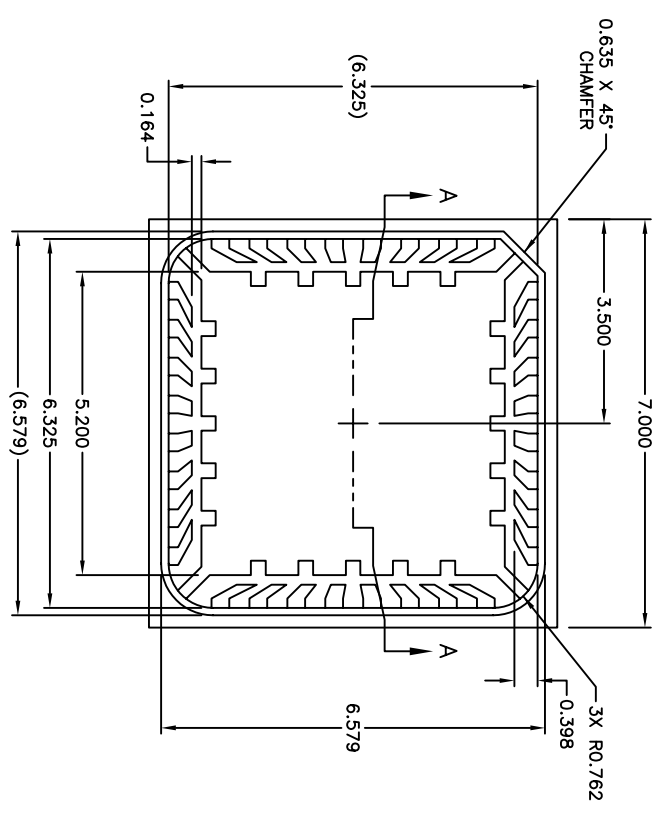


2

1

REVISIONS			APPROVED
ECN NO.	DATE	DESCRIPTION	D.BENANDIO
10497	10/27/05	PRODUCTION RELEASE	



- NOTES:
1. BODY: PLASTIC, SEMICONDUCTOR GRADE.
  2. LEAD FRAME: COPPER 194 FH.
  3. LEAD FINISH: FULL GOLD PLATE
  4. FRAME THICKNESS: 0.2030mm ±0.0076.
  5. DIE PAD: 5.2mm X 5.2mm.
  6. JEDEC OUTLINE: MO-220 (VKKC).



UNLESS OTHERWISE SPECIFIED DIMENSIONS ARE IN MILLIMETERS  
 TOLERANCES ARE: X.XXX ± 0.15 X.XXXX ± 0.0100 ANGLES: ± 1'  
 DO NOT SCALE DRAWING

DRAWN BY	W. GRIFFITTS	DATE	10/26/05
APP BY	P. FLASKERUD	DATE	10/26/05
CUSTOMER	---		

THIS DOCUMENT CONTAINS INFORMATION PROPRIETARY TO SEMPAK, INC., AND REPRODUCTION OR ISSUE IN ANY FORM IS NOT PERMITTED WITHOUT WRITTEN AUTHORITY FROM SEMPAK, INC.

**SEMPAC, INC.**  
 Open-Pak™ Technologies  
 www.sempac.com  
 568 E. WEDDELL DRIVE, SUITE 5  
 SUNNYVALE, CALIFORNIA 94089  
 PHONE: (408) 400-9002 FAX: (408) 400-9006

32 Lead 7mm x 7mm  
 MLP Open-Pak

SIZE	PART NO.	REV
A	MLP7X7-32-OP-01	2
SCALE	NONE	
FILE	MLP7X7-32-OP-01-R2.DWG	
SHEET	1 OF 1	

2

1